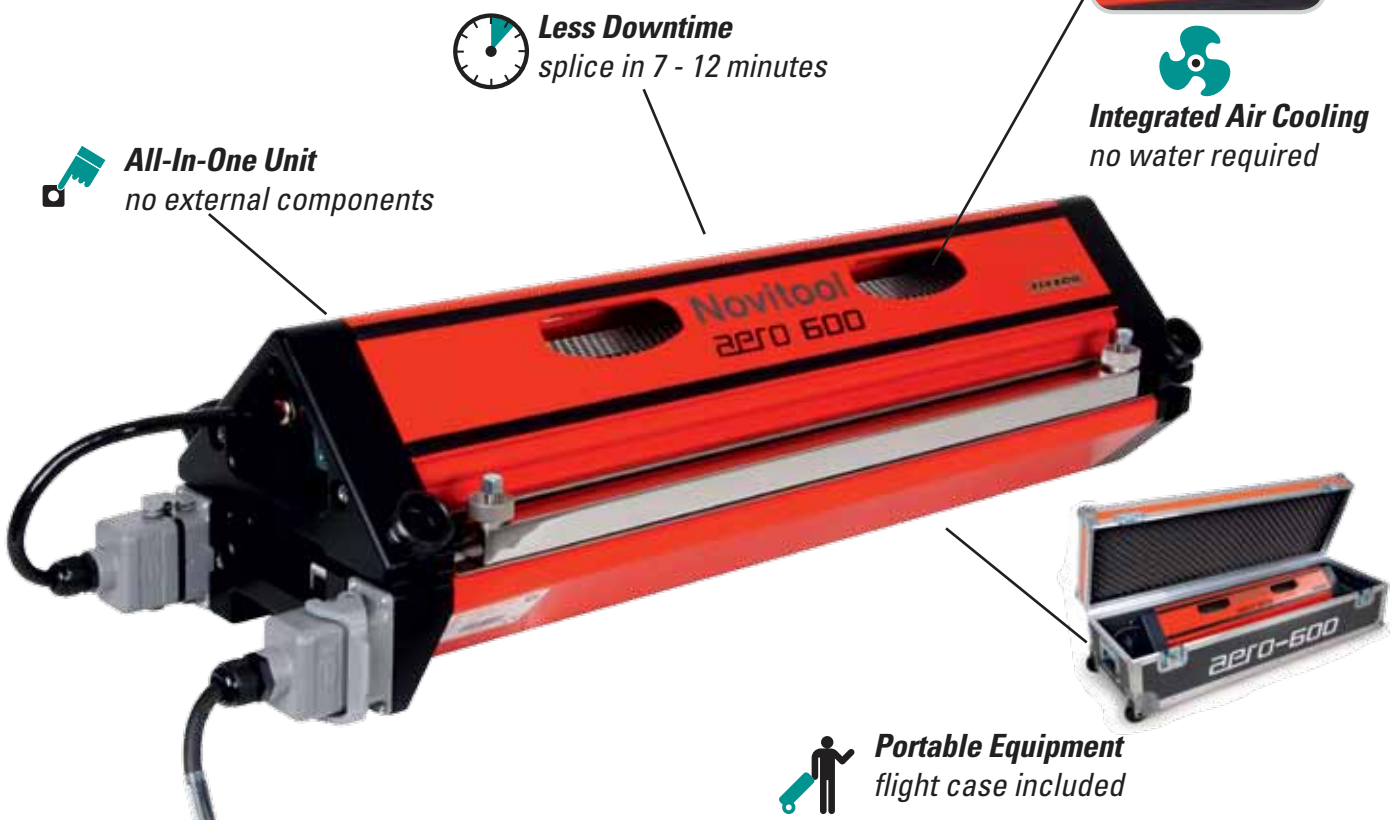


The All In One Splice Press

The Aero™ Press is revolutionizing the splicing industry due to its ease of use and quick cycle time. This air cooled press has all components integrated into the tool, allowing a user to simply plug it into electricity and it is ready for use.



Efficient & Fast Splicing - All In One.

Once taken from the flight case the unit is fully operational and ready to splice. There are no external systems such as water tanks and pumps needed. All functions and subsystems are integrated into the press. The press has an integrated air-cooling system which ensures that the belt is quickly cooled down. This increases the splice quality and the operating speed of the press. For most belt materials, the entire operation can be completed within 7 to 12 minutes.

NEW!

Aero™ Stand for Workshop Efficiency!

For easier belt handling in the workshop, yet the press is easily removed from the stand for job site use.



NOVITOOL® AERO™

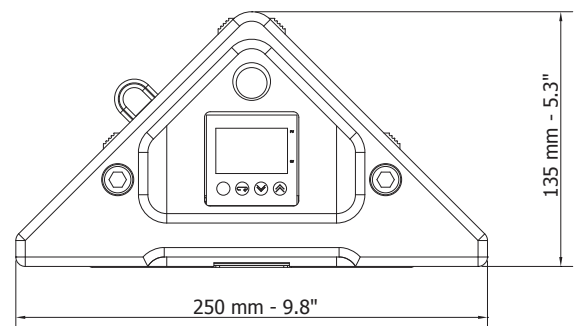
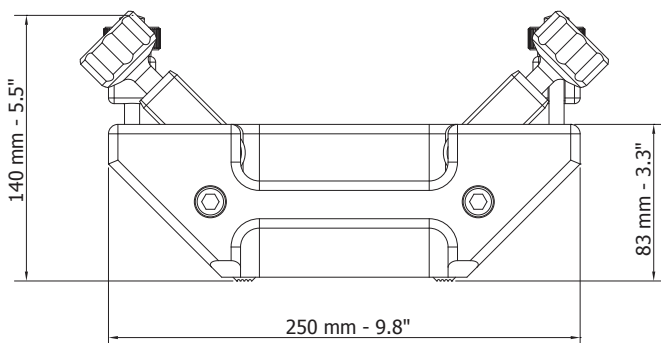
Portable Splice Press

Aero™ Specifications

The Aero™ splice press is available in five different models ranging in width from 24" (300 mm) to 60" (1500 mm). The unit operates on most common voltages. The Aero splice press can be used for splicing thermoplastic belt materials up to a maximum 60" (1500 mm) depending on the model.



Aero™ Tool Specifications					
Specifications	Aero 300	Aero 600	Aero 900	Aero 1200	Aero 1500
Effective length	12" / 305 mm	24" / 610 mm	36" / 914 mm	48" / 1219 mm	60" / 1524 mm
Effective width	5.1" / 130 mm	5.1" / 130 mm	5.1" / 130 mm	5.1" / 130 mm	5.1" / 130 mm
Weight lower part	22 lbs / 10 kg	33 lbs / 15 kg	44 lbs / 20 kg	55 lbs / 25 kg	66 lbs / 30 kg
Weight upper part	24 lbs / 11 kg	33 lbs / 15 kg	40 lbs / 18 kg	48 lbs / 22 kg	57 lbs / 26 kg
Total weight	46 lbs / 21 kg	66 lbs / 30 kg	84 lbs / 38 kg	104 lbs / 47 kg	123 lbs / 56 kg
Length	19.9" / 505 mm	31.7" / 805 mm	43.5" / 1105 mm	55.3" / 1405 mm	67.1" / 1705 mm
Overall Height	8.5" / 220 mm	8.5" / 220 mm	8.5" / 220 mm	8.5" / 220 mm	8.5" / 220 mm
Max. pressure	29 PSI / 2 Bar	29 PSI / 2 Bar	29 PSI / 2 Bar	29 PSI / 2 Bar	29 PSI / 2 Bar
Max. temperature	390 °F / 200 °C	390 °F / 200 °C	390 °F / 200 °C	390 °F / 200 °C	390 °F / 200 °C
Dimensions for transport (L x W x H)	30 x 15 x 12" (770 x 370 x 310 mm)	42 x 15 x 12" (1070 x 370 x 310 mm)	54 x 15 x 12" (1370 x 370 x 310 mm)	68 x 15 x 12" (1726 x 370 x 310 mm)	76 x 15 x 12" (1926 x 370 x 310 mm)
Weight for transport	57 lbs / 26 kg	77 lbs / 35 kg	95 lbs / 43 kg	117 lbs / 53 kg	134 lbs / 61 kg
Power requirements					
1 phase 230 Vac	8.8 A	14 A	16 A	U.S. only 30 A	U.S. only 30 A
3 phase 230 Vac	4.4 A	7 A	8 A	12 A	15 A
3 phase 400 Vac+0	4.4 A	7 A	8 A	12 A	15 A
3 phase 460 Vac	4.4 A	7 A	8 A	12 A	15 A



NOVITOO[®] AERO[™]

Portable Splice Press

Easy to operate and excellent splice repeatability

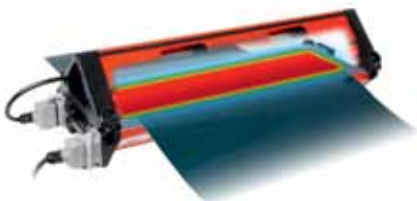
The Aero[™] has two controllers. One for adjustment of temperature and time and one for setting the pressure generated by the built-in compressor. The material/splice specific pressure and temperature values are easily set and the splicing operation itself is fully automatic. The temperature controller has a scrolling display which navigates the user through the settings in clear text messages.

With two quick-clamping bars it is easy to position and fasten the material in the press. The clamping bars ensure that the material remains in position until the upper beam is clamped in place.

Temperature control and cooling

With the Aero press, the user can achieve different splice temperatures for the upper and lower platen or use a single temperature for both platens. This function makes it easy to obtain improved splice results for belts with an asymmetric construction, or those with very thin thermoplastic coatings.

Unique programming features enable a more precise setting of the dwell time (down to seconds), an automatic dwell time countdown, and a preheating cycle. A controlled, stepped/preheating will provide better splice results with thicker or less heat conducting



belt materials.

The splice platens have integrated cool zones on both sides of the heating zone. This will result in ultra smooth splices even for

the most difficult belt materials.

No inlays of glass fibre or metal are used which may cause pressure differences. This design results in:

- No sinking of the hot splice plates into the molten belt material
- No bumps next to the splice
- Less shrinkage of the fingers
- Diminished shiny transition lines

With conventional systems, these malformations are often difficult to control, requiring process adjustments, trial runs, and a lot of craftsmanship. However, the Aero can be operated with minimal training, generating repeatable, high quality splices time after time.

Easy to operate



Lightweight, contemporary design



Easy material alignment and clamping



Setting temperature and pressure controller

Easier Handling and Splicing with the Aero™ Stand



Easy Installation

The stand has been designed to allow for the press to be quickly and easily removed for a field installation.



Integrated Counterweights

Counterweights are integrated into the Aero stand to offset the weight of the upper press beams, so that raising and lowering of the beam occurs with minimal effort.



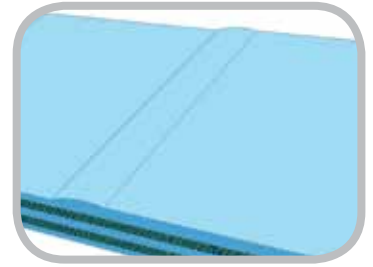
Optional Umbilical Cable

An alternative press stand is available which includes a long umbilical cable. This cable provides electrical continuity between the upper and lower beams between splices, increasing production efficiency.

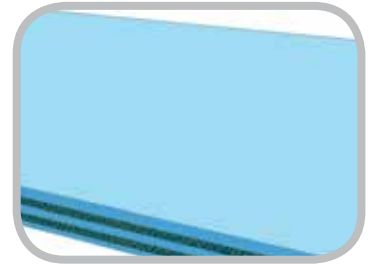
NOVITOOL® AERO™ Portable Splice Press

Quality, Smooth Splice

The wide platens with integrated cool zones prevent the top beam from sinking into the molten belt material under pressure. This results in an extremely flat splice which is desired by users.



Traditional splice



Smooth splice with the Aero™

Aero™ Ordering Information	
Ordering Number	Item Code
AERO-300	08000
AERO-600	08001
AERO-900	08002
AERO-1200	08003
AERO-1500	08004
AERO™ STAND	
Ordering Number	Item Code
AERO-STAND-CW	08080
AERO-STAND-CW-UMBACABLE with Umbilical Cable Extension	08114

Note: Power cords are not included and must be ordered separately. Contact Customer Service for ordering information.

The unit is well protected and can easily be transported to any location in the field with included flight case.



Authorized Distributor:

2525 Wisconsin Avenue • Downers Grove, IL 60515-4200 U.S.A.
Tel: (630)-971-0150 • Fax: (630)-971-1180 • E-mail: info@flexco.com • Web: www.flexco.com

Australia: 61-2-9680-3322 • Chile: 56-2-8967870 • China: 86-21-33528388
England: 44-1274-600-942 • Germany: 49-7428-9406-0 • India: 91-44-4354-2091
Mexico: 52-55-5674-5326 • Singapore: 65-6281-7278 • South Africa: 27-11-608-4180

